

DirectDrive small;Model DDs6823-HS Brushless DD Motor

Features:-3 Phase Outer Rotor Brushless Motor

Low Speed, Large Torque

Sealed Casing, Dust- proof design

High Precision and High Performance

Safe and Reliable, Running Smoothly

Lightweight, Energy Saving

Low Noise, Long Life

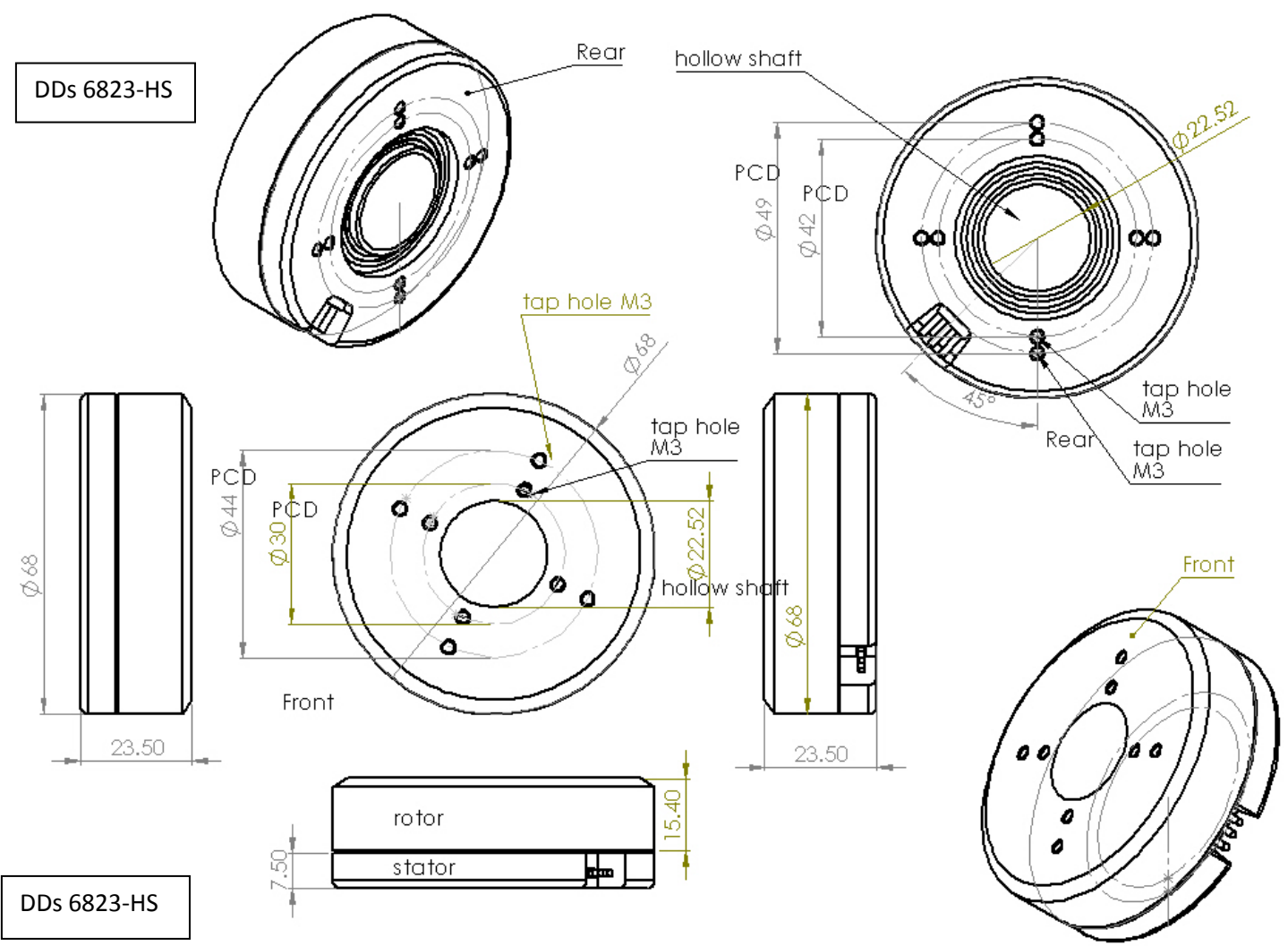
Specifications:

Item No.	DDs 6823-HS ; Name :Brushless Disc Motor
Motor Type	Brushless DC/ Outer rotor ;Weight (g) :240
Motor Dimension (DxL mm)	68x23.5 ; Diameter of Shaft (mm) Hollow 22.5
Configuration	24N22P ; Number of pole pairs 11
Resistance (Ri) (Ohm)	10.5 ;
Recommended Voltage (V)	14.8- 48V ; Max. Voltage (V) 60V
KV (RPM/V)	60
No Load Current (A)	0.09
Stall Current (A)	4.4
Operating Temperature Range	-40 to +150 degree Celsius
TorqueN.m	0.7 N.m
Peak Torque	2.5 N.m.
Inductance (mH)	13 mH
Max. speed @ 48V	: 2900 rpm
Max. speed @ 60V	: 3600 rpm

DDsMotor 6823+Encoderflange Type 1



DDs 6823 Encoder Flange Type1



DDs 6823-HS

